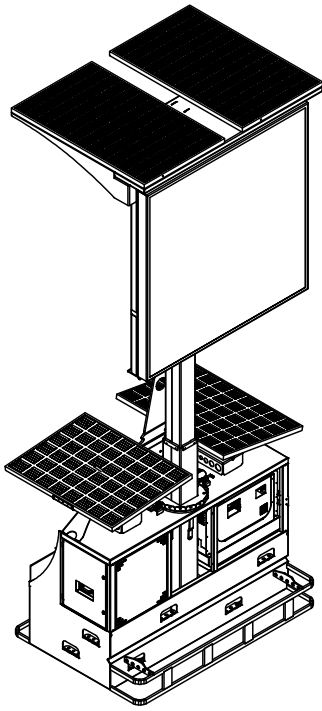




**TECHNICAL SPECIFICATIONS**

- Standard hydraulic slide for up-down up to 6.5M
- Manually rotatable
- Full Color LED Display both text and configurations, including user-friendly software package
- Pixel distance 20mm, standard 80x80 matrix. (Other matrix on request)
- In accordance with EN 12966 including test reports prepared by an independent test house
- Completely closed preformed
- All doors easy to open and provided with proper locks
- Operating through a 3G / Wifi modem including programming software for display at a distance (without subscription) or by the Verdegro APP for smartphone / tablet
- Backup software control (with software crash, must be manually taken after new software is rebooted version of the flash disk)
- Standard equipped with solar panels and extra large battery bank
- Gel glass mat battery pack (maintenance-free, completely free of leaks)
- Industrial battery charger included wall socket for mounting on light pole, grid connection or recharge at storage yard
- Including loose ballast weight hidden from view
- Possible for transport on trailer (if removing ballast)
- Possible to move by forklift or crane
- Dimensions: 2200mm (W) x 1480mm (D) x 2550mm (H)



## OPTIONAL: GENERATOR 24Vdc

- Kubota Diesel DC Generator
- Start/Stop system
- 60 Litre Tank
- Easy installation and maintenance
- Backup power-supply for the winter months.

