



TECHNICAL SPECIFICATIONS

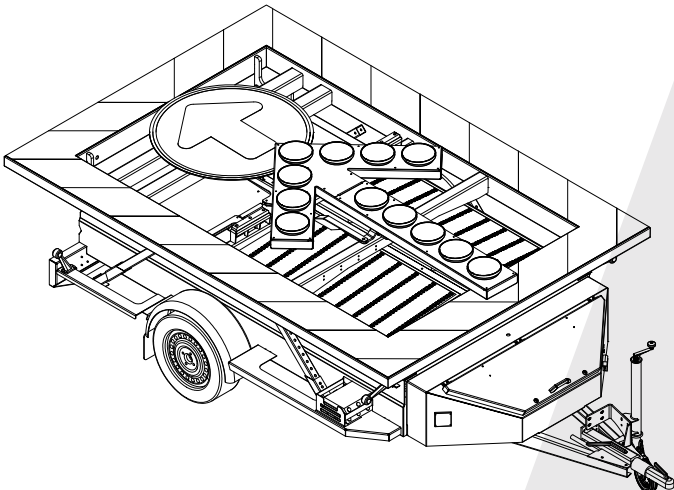
- Trailer fitted with 1 torsional spring axles 1350 kg / 2976 lbs, also fitted with legally prescribed driving lights, braked, and fitted with a parking brake
- Maximum loaded weight 1350 kg / 2976 lbs with registration certificate
- Construction (tray) completely closed, and equipped with an open bottom
- Front box equipped with 1 control hatch, fitted with hinges and locks (double-bit locks)
- Equipped with 4 extendable manual support legs
- Action frame hydraulically foldable, with retro reflective foil class 3
- Arrow figuration fitted with 24V
- LED lamps, rotatable or fixed arrow configuration in accordance with EN12353 guidelines, incl. automatic light dimmer
- Arrow and sign D2 (900/1000mm diameter) hydraulically rotatable
- Action frame according to guidelines whereby the retro foil will not be visible in transport position
- Equipped with 280 Wp solar energy system including 20A IP 65 solar charger with display and accessories
- 4 pieces maintenance-free solar glass-mat batteries 100 Ah 12 Volt total 400 Ah
- Andreas strips (rumble strips) storage from the side of the trailer (excl rumble strips)
- Fully galvanized chassis
- Body parts powder coated in your desired color or RAL 1016 in accordance with Dutch RWS requirements
- 175Amp Anderson charging plug is fitted at the front
- Hydraulic Jockey Wheel
- 230Vac Battery charger with grid connection incl. installation + 15m charging cable

VD1-PL

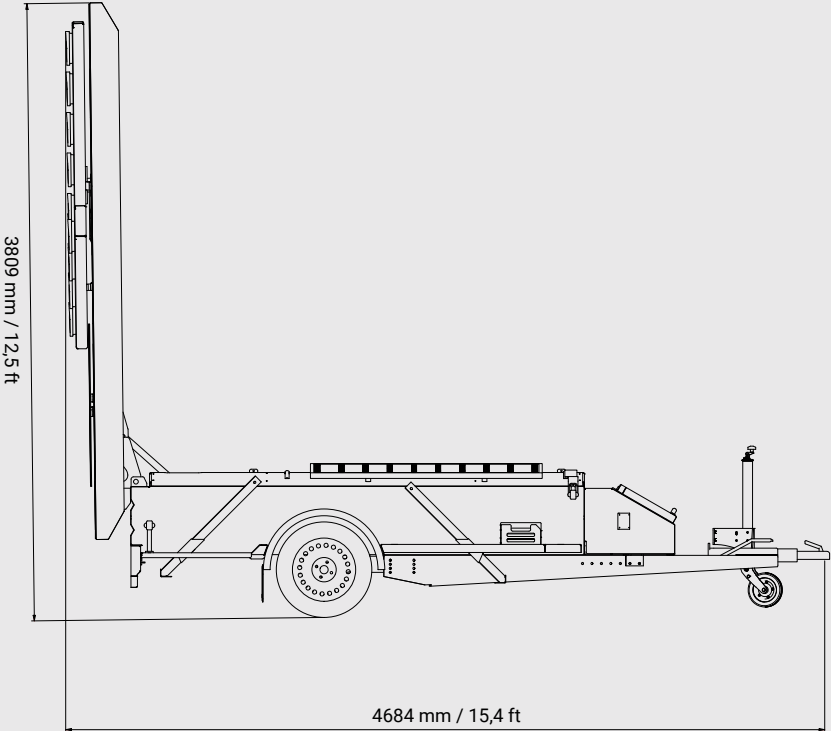
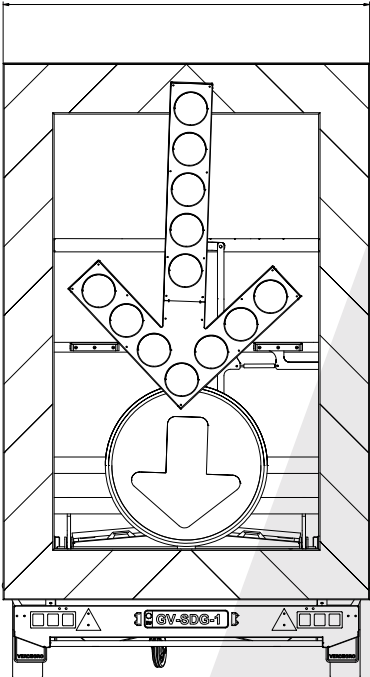
- This fully manual single-axle action car will be carried out including the desired options specified by you

OPTIONAL

- Andreas strip set
- Wireless remote-control unit
- Optionally equipped with spare wheel



2262 mm / 7,4 ft



4684 mm / 15,4 ft

